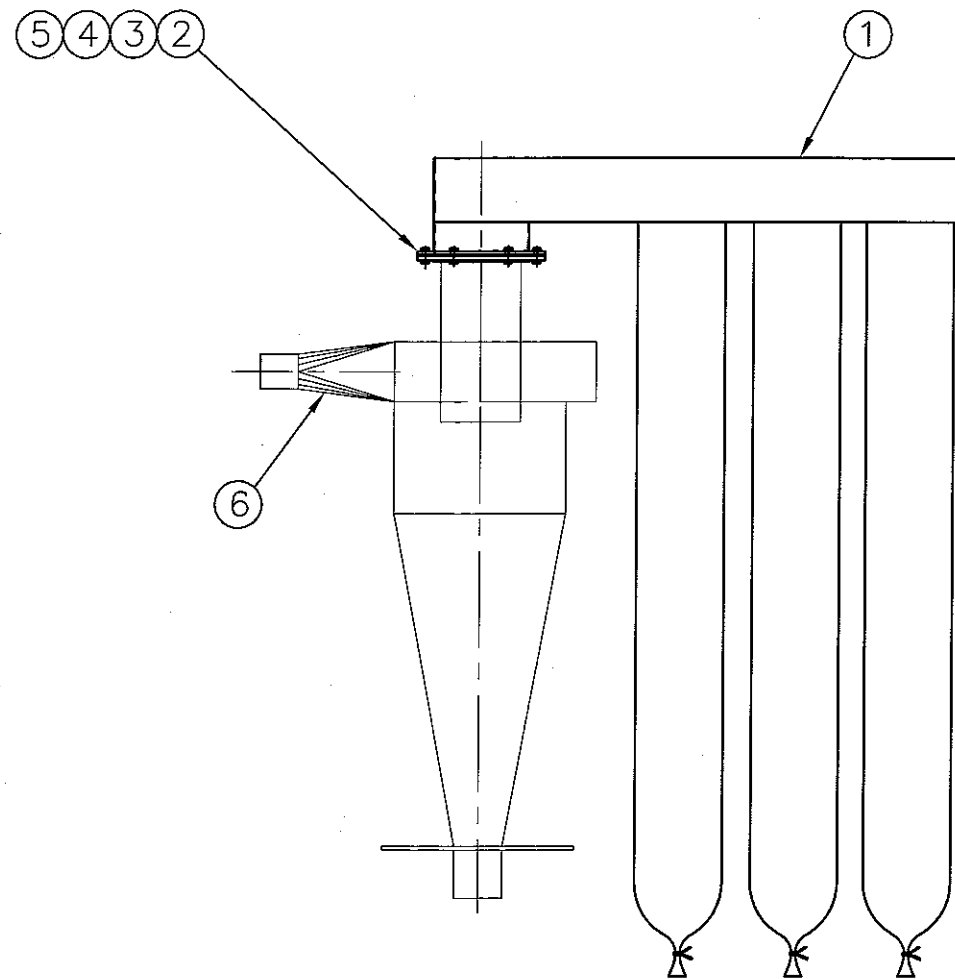


REV	DESCRIPTION	BY	DATE
A	ADDED ITEM #6 CORRECTED PART NUMBER FOR ITEM #1	R.K.	12-11-03
B	ADDED DASH -7	ASD	2/10/05
C	ADDED DASH -8	MRA	4/13/07

PART NUMBER	CYCLONE	NO. OF BAGS (ROW & COL.)	BAG LENGTH (STD)	ITEM 1	SCROLL MTG FLANGE ITEM 2	GASKET ITEM 3	SPLIT FLANGE ITEM 4	ITEM 6
X-5007-128-1	250	2 (1 x 2)	120	X-5007-144-1	Z-5007-84-1	Z-5007-84-2	Z-5007-84-3	X-5007-3-1
X-5007-128-2	500	3 (1 x 3)	120	X-5007-144-2	Z-5007-85-1	Z-5007-85-3	Z-5007-85-2	X-5007-3-2
X-5007-128-3	750	3 (1 x 3)	120	X-5007-144-3	Z-5007-12-1	Z-5007-12-2	Z-5007-12-3	X-5007-3-3
X-5007-128-4	1000	4 (2 x 2)	120	X-5007-144-4	Z-5007-48-1	Z-5007-48-2	Z-5007-48-3	X-5007-3-4
X-5007-128-5	1500	6 (2 x 3)	120	X-5007-144-5	Z-5007-22-1	Z-5007-22-2	Z-5007-22-3	X-5007-3-5
X-5007-128-6	2000	6 (2 x 3)	144	X-5007-144-6	Z-5007-19-1	Z-5007-19-2	Z-5007-19-3	X-5007-3-6
X-5007-128-7	500	3 (1 x 3)	144	X-5007-144-2	Z-5007-85-1	Z-5007-85-3	Z-5007-85-2	X-5007-3-2
X-5007-128-8	500	2 (1 x 2)	120	X-5007-144-10	Z-5007-85-1	Z-5007-85-3	Z-5007-85-2	X-5007-3-2



ITEM	PART NO.	QTY	DESCRIPTION
6	SEE TABLE	REF	CYCLONE
5		6	SCREW HEX HD 1/4-20 x 1-1/4 LG W/LW & NUT
4	SEE TABLE	1	SPLIT FLANGE
3	SEE TABLE	1	GASKET
2	SEE TABLE	1	FLANGE, SCROLL MTG
1	SEE TABLE	1	SIDE MOUNTED FILTER HEAD

THIS DRAWING IS THE PROPERTY OF FOREMOST MACHINE BUILDER, FAIRFIELD NEW JERSEY, U.S.A. IT SHALL NOT BE REPRODUCED, COPIED, LOANED OR OTHERWISE DISPOSED OF DIRECTLY OR INDIRECTLY IT SHALL BE USED AS A MEANS OF REFERENCE TO WORK PROPOSED BY THIS COMPANY ONLY AND IS NOT TO BE SUBMITTED TO OUTSIDE PARTIES FOR EXAMINATION WITHOUT OUR CONSENT. ALL RIGHTS OF DESIGN AND INVENTION ARE RESERVED.

JOB NO. _____
QUANTITY: _____

DASH NO	NEXT ASSY	USED ON

APPLICATION
ALL DIMENSIONS ARE IN INCHES EXCEPT AS NOTED

STANDARD TOLERANCES UNLESS OTHERWISE SPECIFY
FRACTION ±1/16
2 DEC. PL ±0.010
3 DEC. PL ±0.005
MM ±0.5
ANGULAR ±0°-30'

HEAT TREAT: SPEC

SURF ROUGH 250

FOREMOST
MACHINE BUILDERS INC.
WWW.FOREMOSTMACHINE.COM

DRWN	DATE	TITLE
Z.Z.	6/24/03	FILTER HEAD ASS'Y SIDE MOUNTED
CHKD	DATE	
APPD	DATE	SCALE
		1:8
DWG NO	SH 1 OF 1	REV
X-5007-128		C