

OKTOMAT® ECO

Emptying station
for Octoboxes and big bags

- ➔ **Personnel not required**
- ➔ **Saving space**
- ➔ **Maintenance-free**
- ➔ **Minimal cost of operation**

Complete removal of material without the presence of personnel. Lifting, tilting or turning-around the full container is not necessary, therefore avoiding manual intervention.

Just transport the container by manual pallet truck, fasten the plastic liner/bag and the automatic conveying can be started without control and down time of conveying process. The bags will be emptied completely without residual materials.



OKTOMAT® ECO „simply brilliant“



The flexible bag is drawn upwards and inwards by means of automatic bag lifting operation. By decreasing bag diameter, the bulk material will be pushed towards the area of suction. At the end of conveying, the bag is lifted from the floor, thus enabling complete removal.

By means of the vibrating suction head the bulk material is loosened and can flow towards the suction area. The suction head will balance itself in the material, loosening clusters by vibration.



Suction head type XL-80

Suction head type S-38/50

The lifting ring can be attached both to big bag loops and to plastic liners similarly and the system can be easily adjusted from low to high bags. The OKTOMAT® system solves material flow difficulty with common bulk material bags in industrial process such as



BigBag
all bags with loops

Oktoibox
all bags with plastic liners

FIBC, pallet cage, etc
super sacks with plastic liners

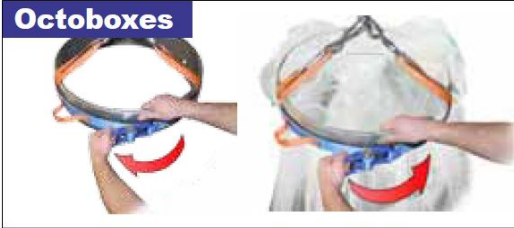
With the vibrating suction head all kinds of freely flowing materials can be removed and for regrind, powders, fibres and for other difficult cases the **OKTOMAT® series SOS, Clean and Powder** are available with unique options.



OKTOMAT® Lifting ring

„simply brilliant“

Octoboxes



unlock tension belt

attach liner to lifting ring

or BigBag



hook big bag loops

Standard Equipment

- ✚ pedestal version of steel, powder coated
- ✚ adjustable assembly height ECO-L 9-fold ECO-H 4-fold
- ✚ universal lifting ring of stainless steel
- ✚ ø 600mm for plastic liners and big bags
- ✚ bag lifting power continuously adjustable up to 1500 N (150kg)
- ✚ suction head type S, conveying tube ø 38 / 50 mm of stainless steel 1.4301
- ✚ stroke length

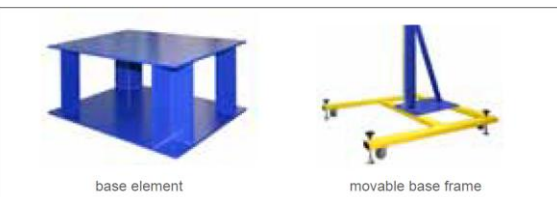
ECO-L 800 mm
ECO-H 1000 mm

Optional Equipment

- ✚ control for adjustable additional discharge time (option 1)
- ✚ autom. switch-over to a 2nd OKTOMAT® (option 2)
- ✚ special types of suction head (option 3)
- ✚ XL-80 of stainless steel 1.4301
- ✚ conveying tube ø 38 / 50 / 65 / 80 mm
- ✚ additional weight (option 4) for suction head
- ✚ S-38 / 50
- ✚ compressed air vibrator/s (option 5) for suction head
- ✚ cover of PVC for bulk bag and lifting ring
- ✚ special lifting rings ø 300 / 400 / 800 mm
- ✚ movable base frame
- ✚ 300 mm base element
- ✚ extension element set

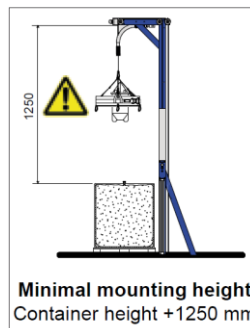
ECO-L 2960 mm max.
ECO-H 3900 mm max.

- ✚ stroke length for optional extension element set
- ✚ ECO-L 1000 mm / ECO-H 1250 mm



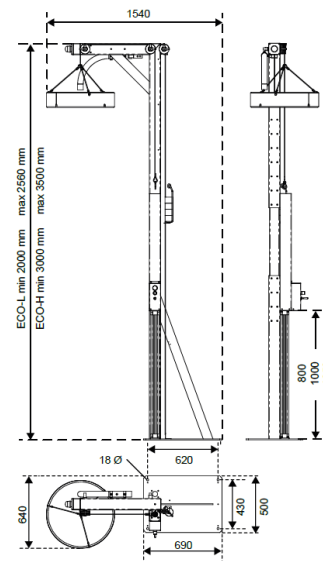
base element

movable base frame



Pre-assembled packed

ECO-L ECO-H



2011-05_DB_OKTOMAT-ECO-H-LI_EN | Subject to change

OKTOMAT® SOS

Emptying station

for Octoboxes and big bags

- ➔ Personnel not required
- ➔ Saving space
- ➔ Maintenance-free
- ➔ Minimal cost of operation



Complete removal of material without the presence of personnel. Lifting, tilting or turning the full container around is not necessary, therefore avoiding manual intervention.

Just move the container by manual pallet truck, fasten the plastic liner/bag and the automatic conveying can be started without control and down time of conveying process. The bags will be emptied completely without residual materials.

OKTOMAT® SOS „simply brilliant“



The flexible bag is drawn upwards and inwards by means of automatic bag lifting operation. By decreasing bag diameter, the bulk material will be pushed towards the area of suction. At the end of conveying, the bag is lifted from the floor, thus enabling complete removal.

By means of the vibrating suction head the bulk material is loosened and can flow towards the suction area. The suction head will balance itself in the material, loosening the bulk material and with help of the SOS-control it will oscillate.



The lifting ring can be attached both to big bag loops and to plastic liners similarly and the system can be easily adjusted from low to high bags. The OKTOMAT® system solves material flow difficulty with common bulk material bags in industrial process such as



BigBag

all bags with loops

Oktoibox

all bags with plastic liners

FIBC, pallet cage, etc

super sacks with plastic liners

The suction head provides efficient removal of all kinds of bulk materials such as regrind, powders, fibres. For difficult cases, there are

unique optional



Control types



SOS



Oktabag

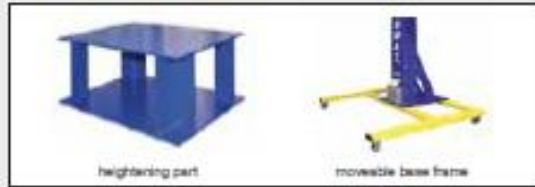
There are 2 extensive control versions available. In the Standard version, the SOS control type (suction head oscillation system) is used. For ultimate requirements and for option 10 and balance material weighing, the Oktabag control version is necessary.

Optional Equipment

- ⚡ Automatic switch-over to the next OKTOMAT® (option 2)
- ⚡ Special types of suction head S-80 or XL-80 (option 3) of stainless steel (AISI 304) for pipe - \varnothing 38/50/65/80 mm
- ⚡ Additional weight for suction head types S-38/50 (option 4)
- ⚡ Compressed air vibrator(s) for suction head (option 5)
- ⚡ Bulk material fluidization by compressed air blasts (option 7)
- ⚡ ATEX zone 2 / 22 (option 8)
- ⚡ Oscillating lifting ring (option 9)
- ⚡ Powder suction head with Oktabag control (option 10)
- ⚡ Balance material weighing with Oktabag control.
- ⚡ Cover of PVC for bulk bag and lifting ring
- ⚡ Remote control incl. 5 m cable
- ⚡ Special lifting rings 400/800 mm
- ⚡ Moveable base frame 300 mm base element

Standard Equipment

- Pedestal version of steel, powder coated
- 7-folded adjustable
- All-purpose lifting ring of stainless steel for plastic liners and big bags
- Suction head type S, conveying tube diameter 38 / 50 mm of stainless steel 1.4301 (AISI 304)
- Oscillating suction head with SOS control
- Empty indication control on LED display and potential free contact,
- monitoring of remaining emptying time and suction head lifting intervals
- Minimal operating cost
- High reduction of personnel cost



OKTOMAT® SOS INOX

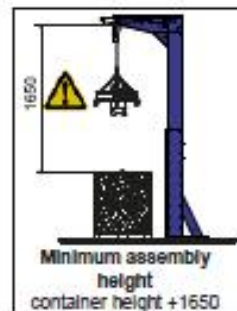
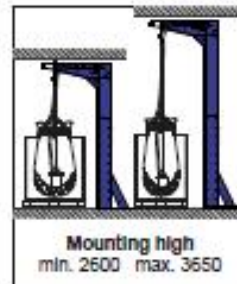
Stainless steel – for high performance applications

PHARMACEUTICAL
FOOD
ATEX

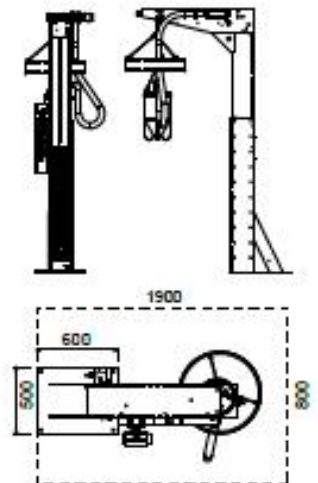
For applications not allowing coated steel, the OKTOMAT® SOS of pure stainless steel 1.4301 (AISI 304) is available. The suction head is selectable in stainless steel

1.4301 or 1.4571 (AISI 304 or

316L), the flexible conveying tube is available of PUR or in



Pre-assembled packed



North American Distributor

OKTOMAT[®] CLASSIC PLUS

Emptying station
for octobins and big bags

- ➔ **Fully automated**
- ➔ **Maintenance-free**
- ➔ **Tried and trusted**



CLASSIC PLUS with option 1

Complete discharging with no operator required, without lifting, tipping or rotating the full container and the problems associated with those operations.

Simply insert the pack using a pump truck, clamp the bag/sack and the extraction process can be conducted automatically without supervision and without danger of interruption. The containers are completely emptied in the process.

OKTOMAT[®] CLASSIC PLUS "simply ideal"



The lifting ring is equally suitable for both big bag loops and bag inlets. It can be converted from low to high containers very easily. The OKTOMAT[®] handles standard industrial container types with

- Big-bag**
all containers with loops
- Octobin**
all containers with film inlets
- FIBC, mesh boxes, etc.**
Large container with bag inlet



The flexible container wall is drawn upwards and inwards via the automated sack lifting system. The sack narrows in the process and the material in the corner areas can flow to the suction point.

At the end of the emptying process, the pack is lifted away from the floor allowing the remainder of the material to be extracted.

The vibration suction head loosens the bulk material and creates

material flow. The suction head floats in the material, removing lumps and oscillated via the

SOS control (option 6).



All free-flowing materials can be extracted using the vibration suction head. Even sharp, powdery and fibrous materials can be processed.



For complex tasks, there



Controls



Optional 1/2 control



Optional 1/2/5/9/10 control

Standard Equipment

- Portal design made from steel, powder coated (RAL 5002)
- Universal hoist ring Ø 600 mm, stainless steel 1.4301 for bag inlets and big bag sacks
- Automated sack hoist
- Type S vibrating suction head, feed tube diameter 38 or 50 mm
- made from stainless steel 1.4301
- Switched on via automatic detection of vacuum conveyor activity
- Automatic suction head run-on via counterweight
- Empty signal via LED light
- Assembly height of 2620 – 3670 mm
- Retrofitting with options 1 – 10 also possible
- Suitable for container heights up to 2200 mm
- Rapid adjustment for different container heights
- Minimal wear and low maintenance

OKTOMAT® CLASSIC PLUS "simply ideal"

Optional Equipment

- ± **Option 1** Adjustable residual emptying time control
- ± **Option 2** Autom. forwarding to second pack
- ± **Option 3** Special suction heads S-80 or XL-80 Ø 38 / 50 / 65 / 80 mm made from stainless steel 1.4301
- ± **Option 4** Additional weight for S-38 / 50 suction head
- ± **Option 5** Compressed air vibrator(s) for suction head
- ± **Option 6** Oscillating suction head
- ± **Option 7** Fluidisation with compressed air nozzles
- ± **Option 8** ATEX model, zone 2/22
- ± **Option 9** Automatic raising and lowering of the lifting ring
- ± **Option 10** Suction-emptying function

Accessories

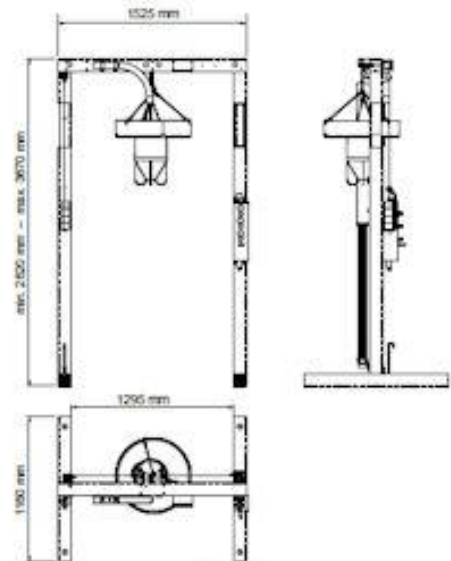
- ▶ Transparent PVC cover for lifting ring
- ▶ Special lifting rings Ø 260 / 400 / 800 mm
- ▶ Increased sack lifting force 2400 N (instead of 1500 N)
- ▶ Remote control with 5 m cable
- ▶ Residual quantity weighing with octabag control
- ▶ Clean suction head design made from stainless steel 1.4408

OKTOMAT® Classic

Thousands in use worldwide



pre-assembled in the transport case



2012-06_08_OKTOMAT-Classic_EN | Subject to alteration

OKTOMAT[®] Clean

Emptying station

for Octoboxes and big bags

- ➔ Personnel not required
- ➔ Saving space
- ➔ Maintenance free

PHARMACEUTICAL
FOOD
ATEX



Complete removal of material without the presence of personnel. Lifting, tilting or turning the full container around is not necessary, therefore avoiding manual intervention.

Just transport the container by manual pallet truck, fasten the plastic liner/bag and the automatic conveying can be started without control and down time of conveying process. The bags will be emptied completely without residual materials.

OKTOMAT[®] Clean „simply brilliant“



The lifting ring can be attached both to big bag loops and to plastic liners similarly and the system can be easily adjusted from low to high bags. The OKTOMAT[®] system solves material flow difficulty with common bulk material bags in industrial process such as



BigBag

all bags with loops

Octobox

all bags with plastic liners

FIBC, pallet cage, etc.

super sacks with plastic liners

The flexible bag is drawn upwards and inwards by means of automatic bag lifting operation. By decreasing bag diameter, the bulk material will be pushed towards the area of suction. At the end of conveying, the bag is lifted from the floor, thus enabling complete removal.

By means of the vibrating suction head the bulk material is

loosened and can flow towards the suction area. The suction head will balance itself on the surface of the material, loosening the bulk material

and with the help of the Oktomat



The suction head provides efficient removal of all kinds of bulk materials such as regrind, powders, fibres. For difficult cases, there are

unique optional



Oktabag control



There is an extremely extensive control version OKTABAG available as standard including intuitive operator guidance monitored on graphic display and indication of all operation status as well as 5 types of function. The

activated/deactivated as well so the operator has to select between manual or full automatic operation only. Up to 10 languages

Standard Equipment

- portal and suction head of stainless steel
- pharmaceutical and food-grade construction
- resists aggressive cleanser, high pressure cleaning capable
- height adjustable 10-fold
- suction head type S-80 (of stainless steel 1.4571/AISI 316L) with compressed air vibrators, conveying tube 38/50/65/80
- lifting ring with 4 snap-hooks for big bags
- complete emptying by means of bag lifting and lift-off
- emptying with help of
 - infinitely variable adjustment of vibrators in suction head
 - oscillation of suction head
 - oscillation of bulk bag
- empty indicator
- fully automatic emptying control with intuitive operator guidance

OKTOMAT® Clean „simply brilliant“

Optional Equipment

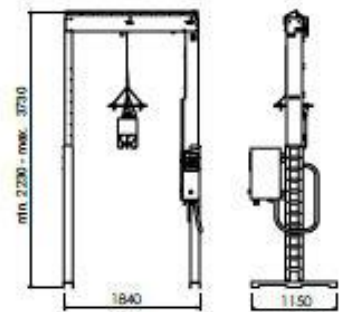
- ✚ Automatic switch-over to the next OKTOMAT® (option 2)
- ✚ Special types of suction head XL-80 (option 3) of stainless steel 1.4571 (AISI 316L) for Pipe \varnothing 38/50/65/80
- ✚ Bulk material fluidization by compressed air blasts (option 7)
- ✚ Suction system for fine powder materials (option 10)
- ✚ Residual material weighing < 150 kg
- ✚ Weighing platform with negative weighing of the whole unit
- ✚ Lifting ring with tension belt for plastic liner
- ✚ Cover of PVC for bulk bag and lifting ring
- ✚ ATEX application (option 8) Zone 2 or 22 for the portal and suction head
- ✚ Zone 2 or 22 for the portal and
- ✚ Zone 1 or 21 for the suction head
- ✚ Zone 1 or 21 for the portal and suction head

OKTOMAT® Clean

High pressure cleaning capable
Resists aggressive cleanser



Pre-assembled packed



Technical data

Material	1.4301 (AISI 304) and 1.4571 (AISI 316L)
Width/size	1840 / 1450 mm
Height	2230 - 3730 mm
Max. bag size	1400 x 1400 x 2100mm
Bag lifting height	1400 mm
Power supply	230 V - 50/60 Hz
Safety class	IP 66 / IP 69 K
Compressed air connection	DN 13 / 6 bar
Weight unpacked/packed	260 / 420 kg