

# MODEL B-8A-6C



The Model B-8A-6C is ideal for moderate hopper or bin loading tasks requiring a lightweight, readily portable unit. This loader operates on 110 volt single phase AC, utilizing a fractional horsepower motor. The motor has been field proven and is easily maintained by occasionally replacing the brushes. All Foremost self-contained loaders feature convenient remote mounted control panels and are available with our patented I.F.T. (Internal Flap Type) proportioning device, which allows the loading of two materials into the same hopper. To keep filter maintenance to a minimum we use a compressed air filter cleaning system which blasts air on the filter after each loading cycle, shaking any fines free. Feel free to contact us for more information or about specific applications.



FOREMOST MACHINE BUILDERS, INC.  
23 Spielman Road, Fairfield, NJ 07004  
(973)227-0700 FAX (973)227-7307  
[www.foremostmachine.com](http://www.foremostmachine.com)

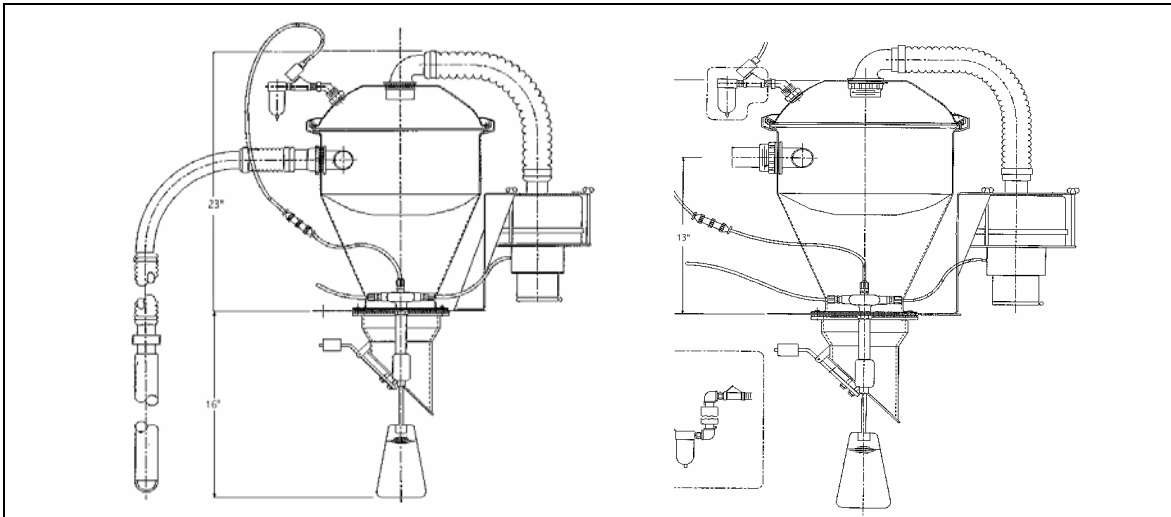
# MODEL B-8A-6C

Model	Motor H.P.	Chamber	Filter		Conveying Rates * (pounds per hour)				
			Diameter	Cleaning	Material	Conveying Distance			
						10ft	20ft	30ft	60ft
B-8A-6C	7/8	.6cu.ft. cast aluminum	14"	Automatic	Pellets	1,100	1,000	900	700
					Regrind	750	650	550	450

\*Based on Foremost lab tests using 35 lb.per cu.ft. pellets, with a 10ft rise.

All units supplied wired complete for 110 volt, single phase, automatic operation.

Standard tubing package: 10 ft. of 1-1/2" ID flexible tubing, hose clamps and 40" material pick-up "suction lance".



FOREMOST MACHINE BUILDERS, INC.  
 23 Spielman Road, Fairfield, NJ 07004  
 (973)227-0700 FAX (973)227-7307  
[www.foremostmachine.com](http://www.foremostmachine.com)