

ACCU-TRAC BLENDER

PRINCIPLE OF OPERATION

OUR ACCU-TRAC BATCH WEIGH BLENDERS ARE BUILT WITH FEATURES TO ALLOW EASY ACCESS FOR INTERCHANGEABILITY AND CLEANOUT WITHOUT TOOLS. HINGED ACCESS DOORS OPEN TO A SLIDE OUT MIXER PADDLE AND MIX CHAMBER. LIFT OUT ADDITIVE FEEDER ASSEMBLIES HOUSE EITHER VIBRATORY OR SCREW FEEDERS AND SWING AWAY AUGER DRIVES OPEN TO SLIP OUT AUGERS.

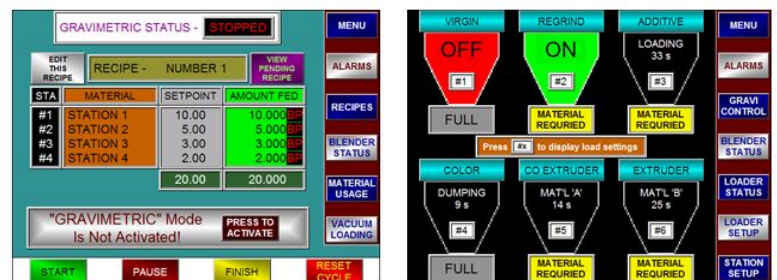


FEATURES

- HIGH THROUGHPUT OPERATION
- UP TO SIX INGREDIENT STATIONS
- MULTI PADDLE AGITATOR
- LATCHED CLEANOUT/ACCESS DOOR
- REMOVABLE MIXER BODY
- COMPRESSED AIR DISTRIBUTION SYSTEM
- WEIGH POT W/ TWO HIGH RESOLUTION LOAD CELLS
- MULTIPLE VIEWING SIGHT GLASSES
- QUICK CLEANOUT DESIGN
- MACHINE OR FLOOR MOUNTED

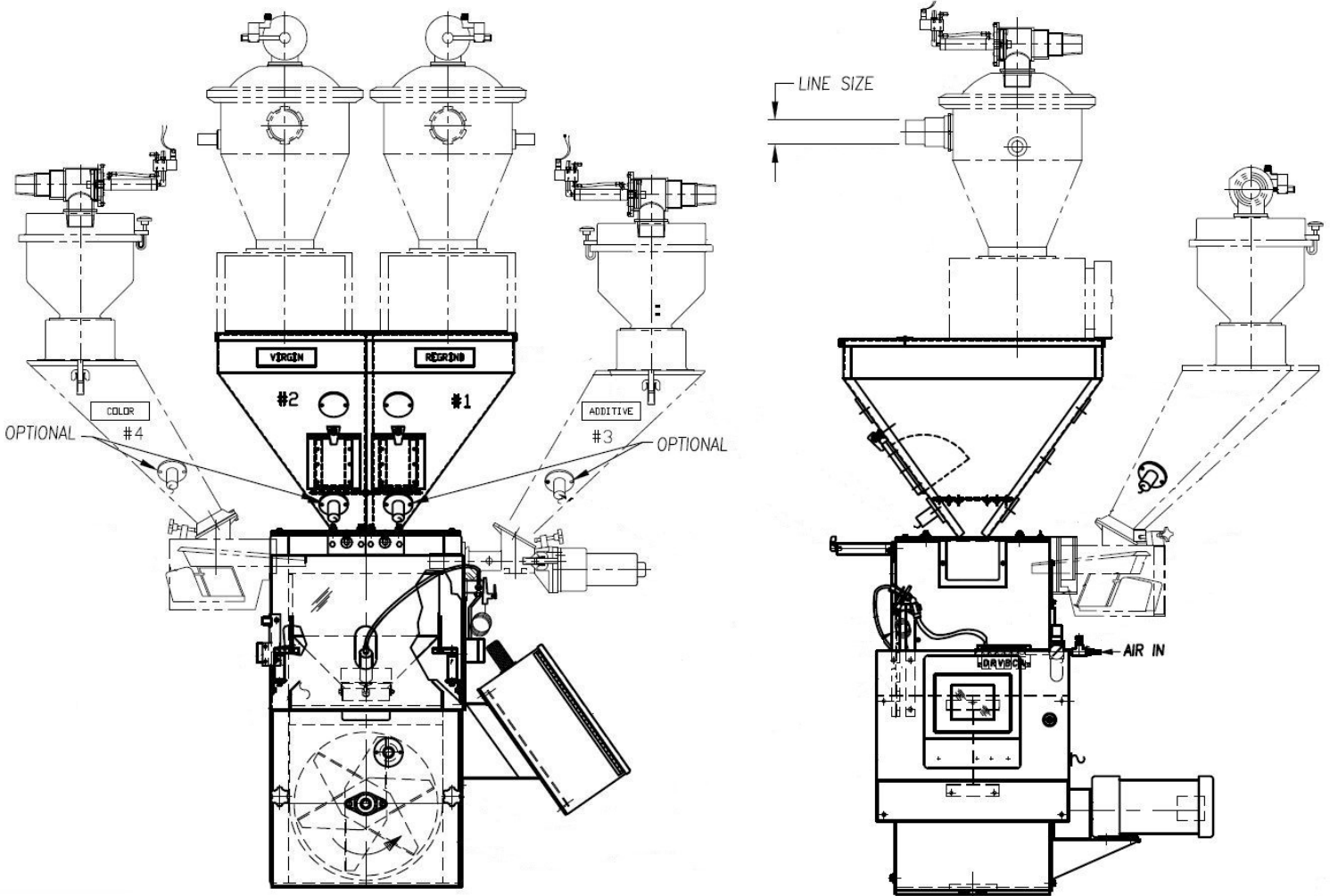
ACCU-TRAC BLENDER CONTROLS

TOUCH SCREEN CONTROLS WITH OPERATOR FRIENDLY, MENU DRIVEN, GRAPHICAL INTERFACE. A CONTINUOUS DISPLAY OF ALL INGREDIENT AND TOTAL PROCESS SETPOINTS AND PERFORMANCE. THE PANEL HOUSES A DIGITAL WEIGH PROCESSOR INTERFACED WITH AN INDUSTRIAL PROGRAMMABLE CONTROLLER. ON BOARD RECIPE STORAGE WITH INGREDIENT NAMING.



ACCU-TRAC - OPTIONS

- INTEGRATED VACUUM LOADER CONTROLS
- ADD-ON INGREDIENT STATIONS
- LOW LEVEL SENSORS
- INTEGRATED METAL SEPARATOR SYSTEMS



WHEN YOU PURCHASE FOREMOST BATCH WEIGH BLENDERS YOU ARE GETTING MUCH MORE THAN A MACHINE. YEARS OF EXPERIENCE, INNOVATIVE TECHNOLOGY, AND A TEAM OF PROFESSIONALS STRIVING TO MEET YOUR NEEDS GO INTO EVERY MACHINE WE PRODUCE.

MODEL NO.	WEIGH POT CAPACITY	MIXER HP	LBS. / HR. THROUGHPUT / UP TO
AT-20	0.2 CU-FT	1/8 HP	500
AT-45	0.6 CU-FT	1/3 HP	1,200
AT-90	1.5 CU-FT	2 HP	3,000

Foremost Machine Builders, Inc.

23 Spielman Road | Fairfield, NJ 07004 | 973-227-0700 | www.foremostmachine.com

Email us at sales@foremostmachine.com