



OUR NEW MLWB - MINI LOSS WEIGHT BLENDER WILL BE FEATURED AT THE UPCOMING 2018 NPE PLASTICS SHOW IN ORLANDO, FLORIDA / MAY 7-11

PRINCIPLE OF OPERATION

THE MINI LOSS WEIGHT BLENDER IS AN INTEGRATED, SELF LOADING, AUTOMATIC WEIGHING SYSTEM. IT IS A FULLY PROGRAMMABLE, COMPACT BLENDER WHICH SIMULTANEOUSLY METERS EACH INGREDIENT BY WEIGHT INTO AN INTEGRATED MOUNTED HOPPER. INDIVIDUAL TOTALIZERS RECORD, STORE AND DISPLAY ACTUAL WEIGHTS OF INGREDIENT USAGE ON AN ONGOING BASIS. CONTINUOUS OR BATCH OPERATING MODES ALLOW THE MLWB TO BE USED IN ANY NEW OR EXISTING PROCESS.



FEATURES

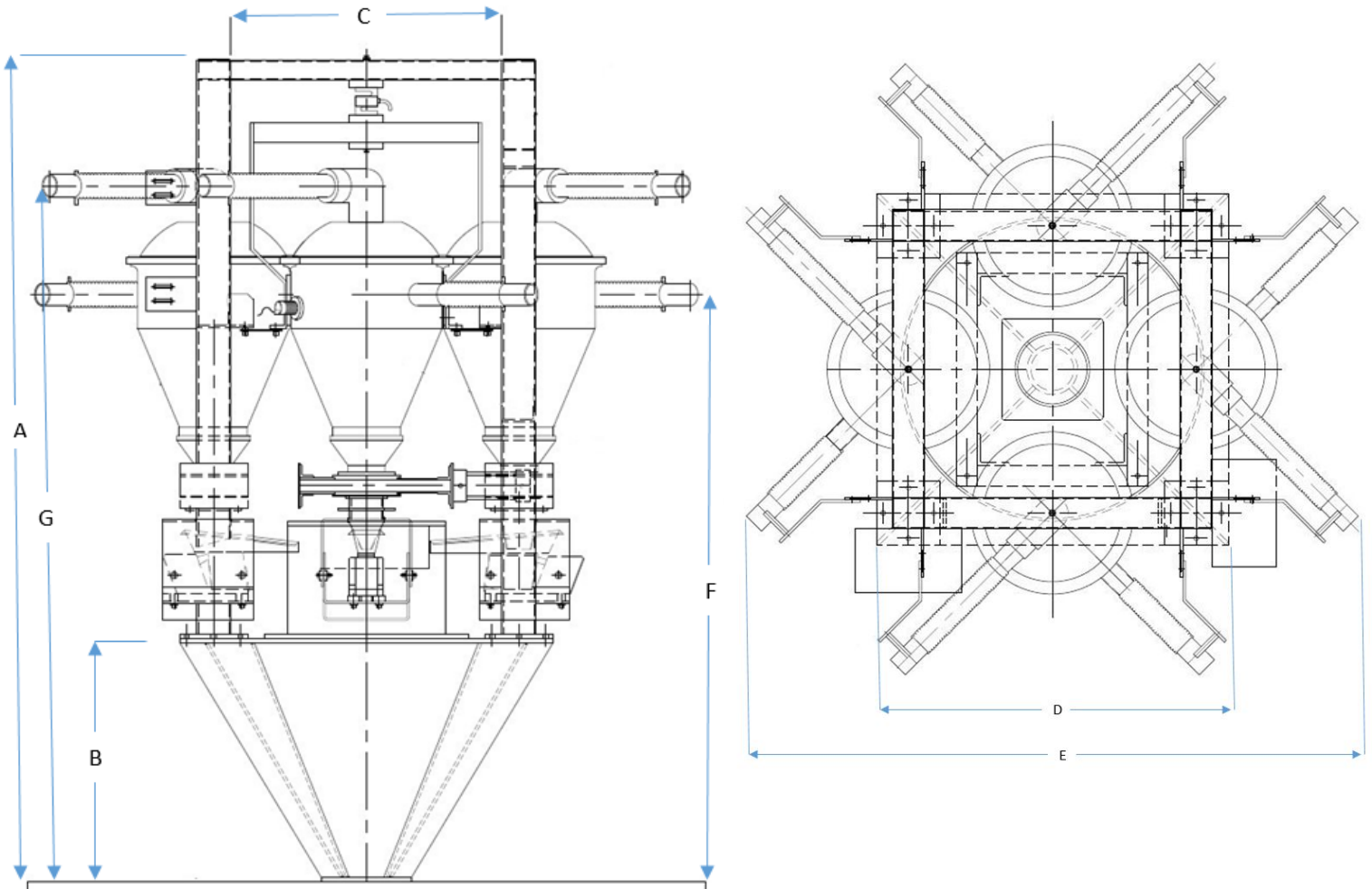
- **HIGH THROUGHPUT OPERATION**
- **UP TO FOUR INGREDIENT STATIONS**
- **COMBINATION WEIGH / VACUUM CHAMBERS**
- **0.6 CU. FT. CHAMBER CAPACITY**
- **WEIGHT ACCURACIES UP TO +/- 0.05%**
- **DUAL SPEED, DUAL SETPOINT FEEDER CONTROLS**
- **SPECIALLY DESIGNED SUSPENSION FRAME**
- **FABRICATED IN STRUCTURAL GRADE ALUMINUM**
- **180 DEGREE QUICK CLEANOUT DESIGN**
- **MACHINE OR FLOOR MOUNTED**

"NEW" MINI LOSS WEIGHT BLENDER CONTROLS

OPERATOR CONTROLS ARE LOCATED ON THE FACE OF THE PANEL AND DISPLAYS INDICATE ALL SYSTEM OPERATING PARAMETERS ON BOTH REAL TIME AND ACCUMULATED BASIS. THE PANEL HOUSES A DIGITAL WEIGH PROCESSOR INTERFACED WITH AN INDUSTRIAL PROGRAMMABLE CONTROLLER. CONTROLS ALSO INCLUDE FULL ALARM AND CONDITION INDICATORS.

MLWB - OPTIONS

- POWDER RECEIVERS FOR FREE OR NON-FREE FLOWING MATERIALS
- GAYLORD AND DRUM FILLING STANDS
- SYSTEM FLOW DISPLAY
- HOST COMPUTER INTERFACE SOFTWARE
- REMOTE OR PANEL MOUNTED PRINTER
- CONTROL PANEL COOLING
- HI TO LOW VOLTAGE TRANSFORMER
- SEPARATE VACUUM CHAMBERS FOR CONTINUOUS OPERATION
- VACUUM POWER UNIT
- STAINLESS STEEL CONSTRUCTION
- VTF VERTIFEEDER PACKAGE FOR NON-FREE FLOWING MATERIALS
- HAZARDOUS AREA COMPLIANCE PACKAGE
- HOPPER MIXER



MODEL NO.	A	B	C	D	E	F	G	MIXER HP	LBS. / HR. THROUGHPUT
MLWB-M-4-06	74"	22"	30"	33"	56"	52"	60"	1	1,000
MLWB-M-4-20	90"	29"	39"	42"	71"	66"	76"	1.5	1,500
MLWB-M-4-40	100"	29"	39"	42"	71"	76"	86"	2	2,000
MLWB-M-4-60	110"	29"	39"	42"	71"	86"	96"	3	2,500

**Above Dimensions are approximate and are subject to change*

Foremost Machine Builders, Inc.

23 Spielman Road | Fairfield, NJ 07004 | 973-227-0700 | www.foremostmachine.com

Email us at sales@foremostmachine.com